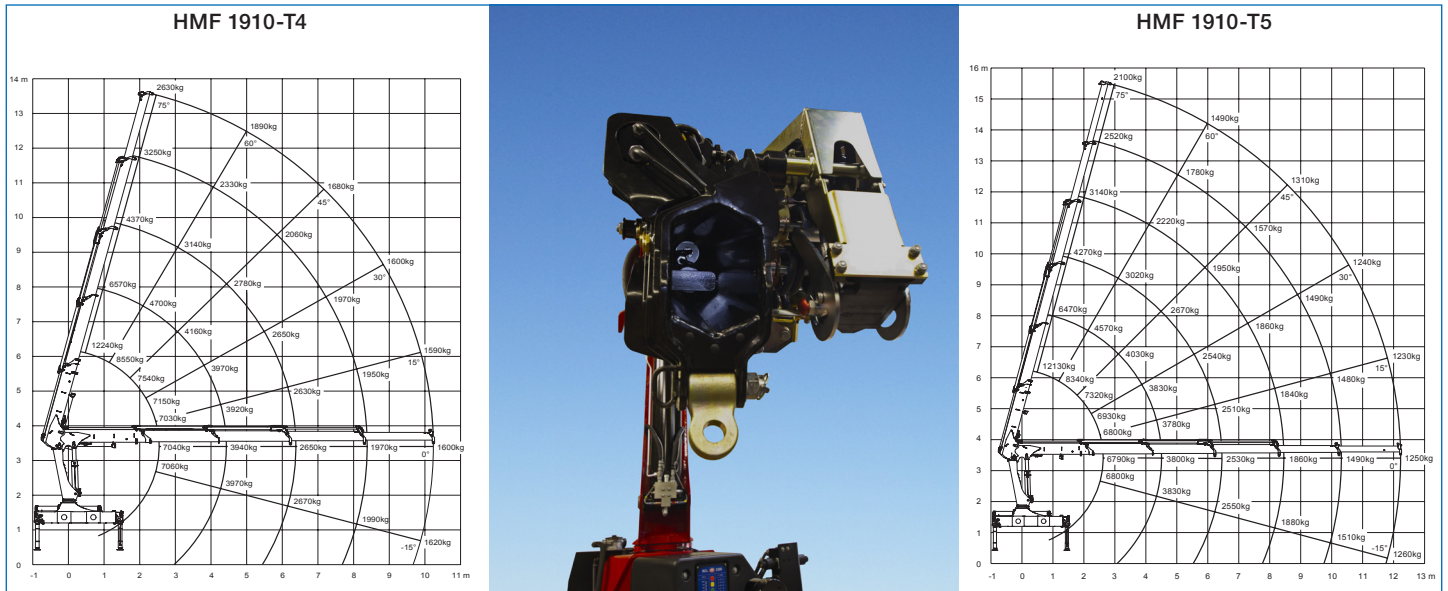


Loading group B3		1910-T4	1910-T5
Load moment	mt	17,9	17,8
Hydraulic reach	m	10,2	12,2
Height above mounting surface	mm	2610	2610
Width	mm	2500	2500
Length of crane, no extra valves	mm	820	820
Max. stabilizer spread, long	mm	5575/6455	5575/6455



- The RCL 5300 Safety System is constantly monitoring the crane's conditions as regards load moment, operation and function thus making it safer and easier to operate the crane. By means of a clear interface the user can constantly check the load moment and the condition of the crane.
- HMF's T-boom range cranes are efficiently protected against weather conditions thanks to powder coating, ZetaCoat pre-treatment, stainless steel and galvanization. HMF's EQC surface treatment gives a significantly better impact resistance and resistance against corrosion than other types of surface treatment and furthermore it complies with the high environmental requirements in Denmark.
- All painted surfaces are powder coated with HMF's EQC-surface treatment, all hydraulic pipes are made of Zistaplex, all hydraulic components have been treated with zinc-nickel coating and all parts in stainless steel are corrosion resistant – sufficient for all vital components to be approved for corrosion class „C4 M“ (marine use).
- The 85 litre hydraulic oil tank is placed directly on the crane which means that it requires minimum space on the vehicle. The tank is made of stainless steel which ensures that it looks good and has a long life span.
- All HMF T-boom range cranes are available with a strong light package. The package includes a strong 2 x 70 W spotlight on the main boom and at the control positions. The right light placed in the right place ensures safe and efficient work.
- The inserts of the cranes are bent which means that they are designed to provide a free height under the boom as large as possible. This also means that the lifting height is increased by 0.4 m without loss of free height.

Operation/equipment/safety:

